



The world leader in electric fireplaces.

# 25" Self-trimming Electric Firebox

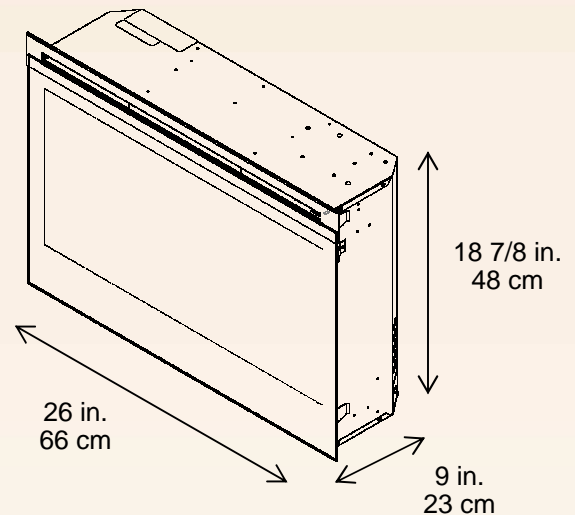
DF2550

## Product Description

- Patented electric flame technology
- Pulsating embers with hand finished logs molded from wood logs for incredible realism
- On-demand heat with thermostat control warms a room or area of up to 400 sq. ft.
- Clean, self-trimming design – no separate trim required
- Year-round comfort - operates with flame only or flame and heat
- Safe, clean electric operation
- 120 Volts / 880 Watts / 3,000 BTU



Includes on / off remote control



| Model # | Description                                    | lbs / kg  | UPC           | Wty.  | Carton Dimensions (W x H x D) |                    | Cube            |                |
|---------|--|-----------|---------------|-------|-------------------------------|--------------------|-----------------|----------------|
|         |  |           |               |       | Inches                        | cm                 | ft <sup>3</sup> | m <sup>3</sup> |
| DF2550  | 25" self-trimming widescreen electric firebox. | 39.6 / 18 | 781052 057395 | 1 yr. | 29.6 x 23.4 x 12.9            | 75.2 x 59.4 x 32.8 | 5.2             | 0.15           |

Specifications, finishes and dimensions are subject to change. Patent protected: for a complete list of applicable patents visit [www.dimplex.com/patents](http://www.dimplex.com/patents).

\*Based on average national residential electricity rates. Rates vary.

© 2009 Dimplex North America Limited.