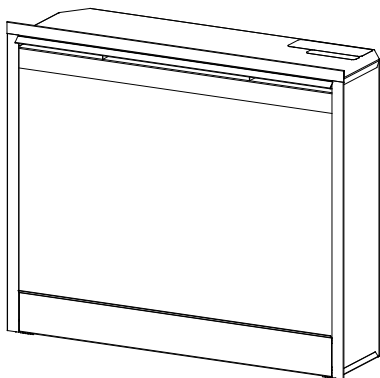




Better solutions through innovation



## Owner's Manual

Model

DF2608

NBDF2608

DF2622SS

DF2622BLK








---

**IMPORTANT SAFETY INFORMATION:** Always read this manual first before attempting to install or use this fireplace. For your safety, always comply with all warnings and safety instructions contained in this manual to prevent personal injury or property damage.

To view the full line of Dimplex products, please visit  
[www.dimplex.com](http://www.dimplex.com)



## Table of Contents

 Welcome & Congratulations . . . . .	3
 IMPORTANT INSTRUCTIONS . . . . .	4
 Fireplace Installation . . . . .	7
 Operation . . . . .	11
 Maintenance . . . . .	13
 Warranty . . . . .	17
 Replacement Parts . . . . .	20

Always use a qualified technician or service agency to repair this stove.

**! NOTE:** Procedures and techniques that are considered important enough to emphasize.

**⚠ CAUTION:** Procedures and techniques which, if not carefully followed, will result in damage to the equipment.

**⚠ WARNING:** Procedures and techniques which, if not carefully followed, will expose the user to the risk of fire, serious injury, or death.

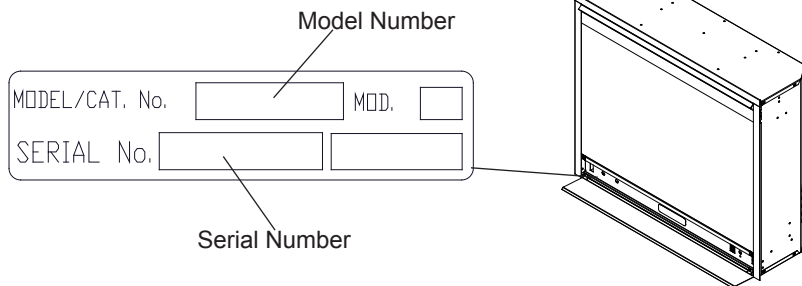
## Welcome & Congratulations

Thank you and congratulations for choosing to purchase an electric fireplace from Dimplex, the world leader in electric fireplaces.

**Please carefully read and save these instructions.**

**⚠ CAUTION:** Read all instructions and warnings carefully before starting installation. Failure to follow these instructions may result in a possible electric shock, fire hazard and will void the warranty.

Please record your model and serial numbers below for future reference: model and serial numbers can be found on the Model and Serial Number Label of your fireplace.



**NO NEED TO RETURN TO THE STORE**

Questions with operation or assembly? Require Parts Information?  
Product Under Manufacturer's Warranty?

Contact us at:



**[www.dimplex.com/customer\\_support](http://www.dimplex.com/customer_support)**

For Troubleshooting and Technical Support

**OR**



**Toll-Free 1-888-DIMPLEX (1-888-346-7539)**

Monday to Friday 8:00 a.m. to 4:30 p.m. EST

Please have your model number and product serial number ready. (See above)



# IMPORTANT INSTRUCTIONS

- ① Read all instructions before using the electric fireplace.
- ② This fireplace is hot when in use. To avoid burns, do not let bare skin touch hot surfaces. The trim around the heater outlet becomes hot during heater operation.
- ③ Extreme caution is necessary when any heater is used by or near children or invalids and whenever the unit is left operating and unattended.
- ④ Young children should be supervised to ensure that they do not play with the appliance.
- ⑤ The appliance is not intended for use by young children or infirmed persons without supervision.
- ⑥ The appliance must be positioned so that the plug is accessible.
- ⑦ Always unplug the electric fireplace when not in use.
- ⑧ If the supply cord is damaged, it must be replaced by the manufacturer, or its service agent, or a qualified person in order to avoid a hazard.
- ⑨ Do not operate any unit with a damaged cord or plug, or if the heater has malfunctioned, or if the electric fireplace has been dropped or damaged in any manner. Contact Dimplex Technical Service 1-888-346-7539.
- ⑩ Do not use outdoors.
- ⑪ Never locate fireplace where it may fall into a bathtub or other water container.
- ⑫ Do not install the fireplace directly on carpet or a similar surface which may restrict air circulation beneath the unit.
- ⑬ Do not run the cord under carpeting. Do not cover cord with throw rugs, runners, or the like. Arrange cord away from traffic area and where it will not be tripped over.
- ⑭ Do not locate the heater immediately below a fixed socket-outlet.
- ⑮ To disconnect the fireplace, turn the controls off, then remove the plug from the outlet.



**CAUTION**  
RISK OF ELECTRIC SHOCK  
DO NOT OPEN  
NO USER-SERVICEABLE PARTS INSIDE





## IMPORTANT INSTRUCTIONS

- ⑯ Do not insert or allow foreign objects to enter any ventilation or exhaust opening as this may cause an electric shock or fire, or damage to the heater.
- ⑰ Although this unit is of zero clearance design, to prevent a possible fire, do not block air intake or exhaust in any manner. Do not use on soft surfaces, like a bed, where openings may become blocked.
- ⑱ All electrical heaters have hot and arcing or sparking parts inside. Do not use in areas where gasoline, paint, or flammable liquids are used or stored or where the unit will be exposed to flammable vapors.
- ⑲ Do not modify the electric fireplace. Use it only as described in this manual. Any other use not recommended by the manufacturer may cause fire, electric shock or injury to persons.
- ⑳ Avoid the use of an extension cord. Extension cords may overheat and cause a risk of fire. If you must use an extension cord, the cord shall be No. 14 AWG minimum size and rated not less than 1875 Watts.
- ㉑ Do not burn wood or other materials in the electric fireplace.
- ㉒ Do not strike the fireplace glass.
- ㉓ Always use a certified electrician should new circuits or outlets be required
- ㉔ Always use properly grounded, fused and polarized outlets.
- ㉕ Disconnect all power supply before performing any cleaning, maintenance or relocation of the unit.
- ㉖ When transporting or storing the unit and cord, keep in a dry place, free from excessive vibration and store so as to avoid damage.

## SAVE THESE INSTRUCTIONS



## IMPORTANT INSTRUCTIONS

**! NOTE:** This equipment has been tested and found to comply with the limits for Class B digital device, pursuant to part 15 of the FCC Rules. These limits are designed to provide reasonable protection against harmful interference in a residential installation. This equipment generates, uses and can radiate radio frequency energy and, if not installed and used in accordance with the instructions, may cause harmful interference to radio or television reception, which can be determined by turning the equipment off and on, the user is encouraged to try to correct the interference by one or more of the following measures:

- Reorient or relocate the receiving antenna.
- Increase the separation between the equipment and the receiver.
- Connect the equipment into an outlet on a circuit different from that to which the receiver is connected.
- Consult the dealer or an experienced radio/TV technician for help.

Operation is subject to the following two conditions: (1) this device may not cause interference and; (2) this device must accept any interference, including interference that may cause undesired operation of the device.



# Fireplace Installation

**⚠ WARNING:** Ensure the power cord is not installed so that it is pinched or against any sharp edges and ensure that the power cord is stored or secured to avoid tripping or snagging to reduce the risk of fire, electric shock or injury to persons.

Electrical outlet wiring must comply with local building codes and other applicable regulations to reduce the risk of fire, electric shock and injury to persons.

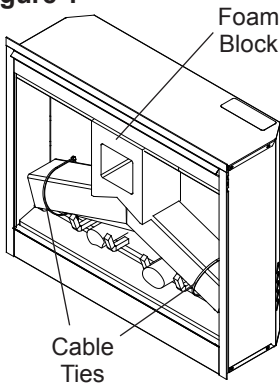
Do not attempt to wire your own new outlets or circuits. To reduce the risk of fire, electric shock or injury to persons, always use a licensed electrician.

## Fireplace Assembly

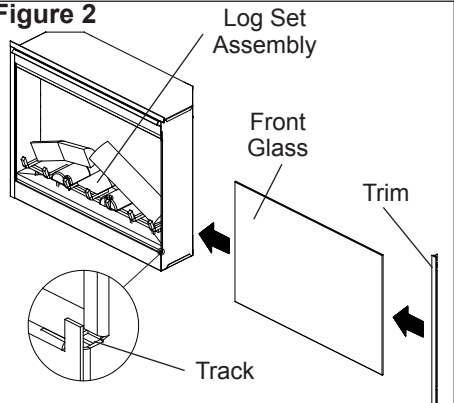
The only assembly required is to slide the Front Glass onto the fireplace and install hardware to keep it in place.

1. Remove fireplace and glass carefully from the carton, discard the plastic bag and foam packaging.
2. Remove the foam block from within the fireplace (Figure 1).
3. Using side cutters or scissors, cut and remove the two (2) cable ties as shown in Figure 1 and remove the cardboard that protects the Log Set Assembly.
4. Remove the right hand side Trim by removing three (3) Phillips screws at the side of

**Figure 1**



**Figure 2**



## Fireplace Installation

- the fireplace (Figure 2).
- Place the Front Glass onto the track of the fireplace (Figure 2) and slide it along the front until it reaches the far left of the unit.
  - Re-attach the right hand trim piece using the three (3) Philips screws from step 4.

### Site Selection and Preparation

This section provides instructions for selecting a location and preparing the site to install the fireplace into your Dimplex mantel surround.

- Select a suitable location that is not susceptible to moisture and is away from drapes, furniture and high traffic.
- For ease of electrical hook up you may wish to locate

the fireplace near an existing outlet (refer to NOTE 1).

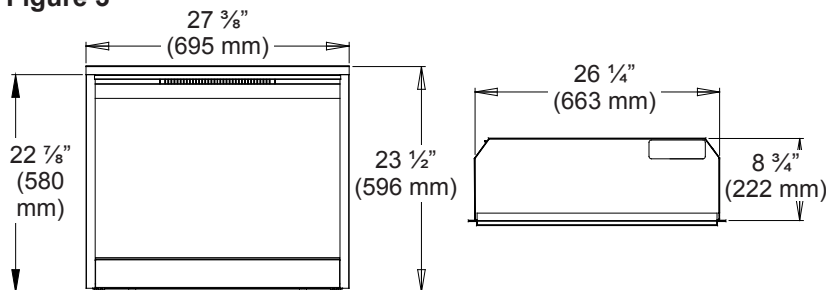
- Store the fireplace in a safe dry and dust free location.

**⚠ CAUTION:** Clearance for air circulation beneath the fireplace is provided by two (2) spacers. **Do not install fireplace directly on carpet or similar surfaces which may restrict air circulation.**

If installing the fireplace in a carpeted area, place a one-piece, solid flat surface under the fireplace. Ensure that all feet rest securely on this surface.

**! NOTE:** The dimensions of the fireplace with the trim are 27  $\frac{3}{8}$ " (695 mm) wide x 23  $\frac{1}{2}$ " (596 mm) high x 8  $\frac{3}{4}$ " (222 mm) deep.

Figure 3





## Fireplace Installation

Dimensions without trim are 26  $\frac{1}{4}$  inch (663 mm) wide x 22  $\frac{7}{8}$  inch (580 mm) high x 8  $\frac{3}{4}$  inch (222 mm) deep. The fireplace does not require any additional venting (Figure 3).

### Fireplace Insert Installation

Install the fireplace assembly into the mantel (refer to mantel assembly instructions).

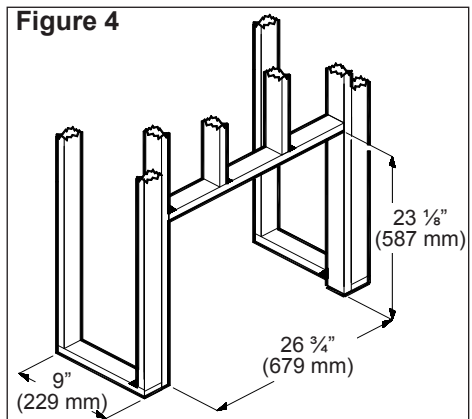
**! NOTE 1:** A 15 Amp, 120 Volt circuit is required. A dedicated circuit is preferred but not essential in all cases. A dedicated circuit will be required if after installation the circuit breaker trips or fuse blows on a regular basis when the heater is operating. Additional appliances on the same circuit may exceed the current rating of the circuit breaker.

**! IMPORTANT:** If not using a Dimplex mantel, the fireplace must be installed in an enclosure with the following **MINIMUM** dimensions (Figure 4).

### New Wall Construction

1. Select a suitable location that is not susceptible to moisture and is away from drapes, furniture and high traffic.
2. Place the fireplace in the desired location to see how it will look in the room.
3. Mark the desired location on the floor.
4. Use studs to frame an opening of 26  $\frac{3}{4}$  inch (679 mm) wide x 23  $\frac{1}{8}$  inch (587 mm) high x 9 inch (229 mm) deep.

**Option #1:** The power cord can be run from behind the Trim and along the wall to an outlet near the fireplace.




## Fireplace Installation

**Option #2:** A new outlet can be installed inside the framing construction.

Plug the unit into a 15 Amp, 120 Volt outlet. If the cord does not reach, you may use an extension cord rated for a **minimum of 1875 Watts**.

### Existing Fireplace

1. Seal all drafts and vents with a non-fibrous insulation material to prevent any chimney debris from falling onto the fireplace. Do not install into an existing fireplace that is prone to dampness.
2. Cap the top of the chimney flue to prevent rain from entering.
3. Plan your electric power supply.
4. The power cord can run along the front of the hearth to an outlet near the fireplace.

 **CAUTION:** Clearance for air circulation beneath the fireplace insert is provided by two (2) spacers. **Do not install the fireplace insert directly on carpet or similar**

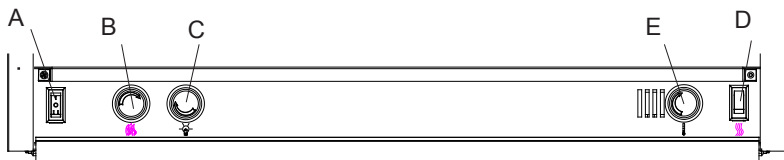
**surfaces which may restrict air circulation.** If installing the fireplace in a carpeted area, place a one-piece, solid, flat surface under the fireplace insert. Ensure that all feet rest securely on this surface.

### For Bathroom Use

If this unit is installed in a bathroom it must be protected by a GFI receptacle or circuit. If receptacle is used it must be readily accessible. To prevent electrical shock this unit is an electrical appliance that is not watertight and must be installed as to prevent water from entering unit. This must be installed away from showers, tubs, etc. Never locate fireplace where it may fall into a bathtub or other water container. High temperatures may be generated under certain abnormal conditions. Do not partially or fully cover or obstruct the front of this heater.

## Operation

**Figure 5**



### **Electric Fireplace Manual Controls (Figure 5)**

The manual controls for the fireplace are behind the access panel located at the bottom of the fireplace.

#### **A. Three Position On/Off Switch**

The switch has two (2) on positions marked with “ I ” and “ II ”. The “ I ” position is for manual operation. In this position the built-in remote control is bypassed. The “ II ” position is for operating the unit with the provided remote control. When in “ II ” position the unit is operated with the ON and OFF buttons of the remote control. When the switch is in the center “ O ” position the unit is off.

#### **B. Flame Action Control**

Turn the Flame Action Control knob to adjust the flame speed to the desired level.

#### **C. Light Dimmer Control**

Turn the Light Dimmer Control knob to increase or decrease the brightness of the interior of the fireplace.

#### **D. Heater On/Off Switch**

The Heater On/Off Switch supplies power to the heating unit when the Three Position On/Off Switch (A) is on (“ I ” or “ II ” positions).

#### **E. Heater Thermostat Control**

To adjust the temperature to your individual requirements, turn the thermostat control clockwise all the way to turn on the heater. When the room reaches the desired temperature, turn the thermostat knob counter clockwise until you hear a click. Leave in this position to maintain the room temperature at its setting. For additional heat, turn clockwise until you hear the click again and the heater will turn on.

## Operation

To turn the heater off, rotate the knob fully counter clockwise.

### Resetting the Temperature Cutoff Switch

This unit is equipped with a thermostat which controls the temperature of the room by turning the heater on and off. The heater is protected with a safety device to prevent overheating. Should the heater overheat, an automatic cut out will turn the heater off and it will not come back on without being reset. It can be reset by switching the Three Position On/Off Switch to Off and waiting five (5) minutes before switching the unit back on.

**⚠ CAUTION:** If you need to continuously reset the heater, unplug the unit and call Technical Support at 1-888-346-7539. Please have your model and serial number ready when calling.

### Remote Control (Figure 6)

The fireplace is supplied with an integrated on/off remote control.

**! NOTE:** Ensure that the

**Three Position On/Off Switch on the fireplace is set to the remote control setting (“ II ”position).**

To operate, push the ON button to turn the fireplace on, push the OFF button to turn the fireplace off.

### Battery Replacement (Figure 6)

To replace the battery:

- Slide battery cover open on the hand held transmitter.
- Correctly install one (1) 12 Volt (A23) battery in the battery holder.
- Close the battery cover.

### Remote Initialization/ Reprogramming

Follow these steps for remote control initialization and if required, re-initialization:

1. Disconnect power to fireplace.
2. Set the Three Position On/Off Switch to the Remote position (Figure 5A).
3. Wait a minimum of five (5) seconds and then re-acquire power to fireplace.
4. **Within** 10 seconds of re-acquiring power, press the

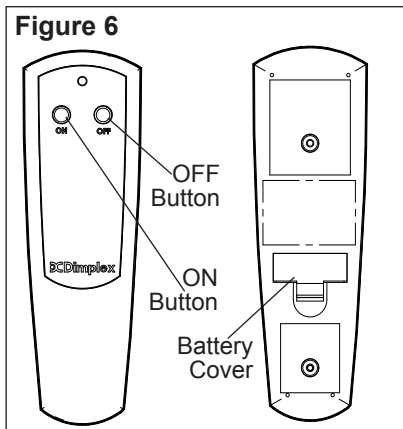
## Operation

ON button located on the remote control transmitter.

**! NOTE:** You will have only 10 seconds to perform this last step. Failure to do so will result in these steps needing to be followed again.

This will synchronize the remote control transmitter and receiver.

**Figure 6**



## Maintenance

**WARNING:** Disconnect power before attempting any maintenance or cleaning to reduce the risk of fire, electric shock or damage to persons.

### Light Bulb Replacement

Allow at least five (5) minutes for the light bulbs to cool before touching them to avoid accidental burning of the skin. The light bulbs need to be replaced when you notice a dark section of the flame or when the clarity and detail of the log ember bed exterior reduces. There are three (3) bulbs under the Log Set Assembly, which generate the

flames and embers, and two (2) bulbs above that illuminate the log exterior.

### Lower Light Bulb Requirements

Quantity of three (3) clear chandelier or candelabra bulbs with an E-12 (small) socket base, 60 Watt rating. Example: GE 60BC or Philips 60CTC.

**Do not exceed 60 Watts per bulb.**

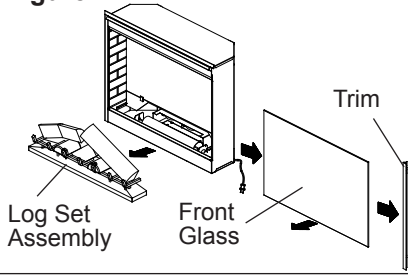
### Helpful Hints

It is a good idea to replace all light bulbs at one time if they are close to the end of their rated life. Group replacement will reduce



## Maintenance

Figure 7

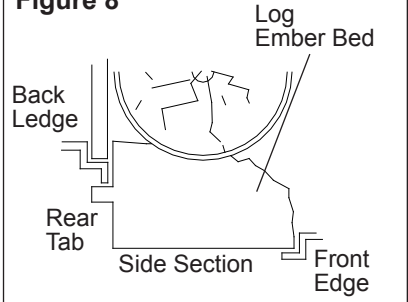


the number of times you need to open the unit to replace light bulbs. Care must be taken when removing the Log set assembly as it contains LED's and wires (DF2608 only).

1. Slide fireplace out of mantel.
2. Lay unit on it's back for safe removal of front glass.
3. Remove three (3) Phillips screws from the right side of trim.
4. Remove trim.
5. Slide glass to right side of fireplace to remove (Figure 7).
6. Pull the front edge of the plastic ember bed or plastic grate up and forward until the rear tab releases from the ledge located at the bottom of the mirror (Figure 8).

**! IMPORTANT:** Only handle

Figure 8



the log set assembly by the ember bed or plastic grate.

**! NOTE:** Log set assembly fits tightly into firebox, some force may be necessary to remove.

7. Set log set assembly in front of fireplace.
8. Remove flicker rod by pulling rod to the right, towards the flicker motor. Bend the flicker rod enough to clear the bracket on the left, lift out and pull flicker rod off of flicker motor shaft (Figure 9).
9. Remove four (4) Phillips screws (two (2) per side) which attach light filter bracket for easier access to light bulbs (Figure 9).
10. Unscrew bulbs counter clockwise to remove.
11. Insert new bulbs and screw in



## Maintenance

clockwise.

12. Replace light filter bracket and flicker rod.
13. Install the log set assembly by placing the front, bottom edge of the ember bed in the track behind the control panel. Once in place, push down on the back edge of the ember bed until the rear tab snaps into place under the mirror (Figure 8).

**! NOTE:** Ensure the log set Assembly is installed tightly under the bottom edge of the mirror to prevent light leakage.

14. Lay unit on it's back and slide Front Glass back into position

and attach trim.

### Upper Light Bulb Requirements

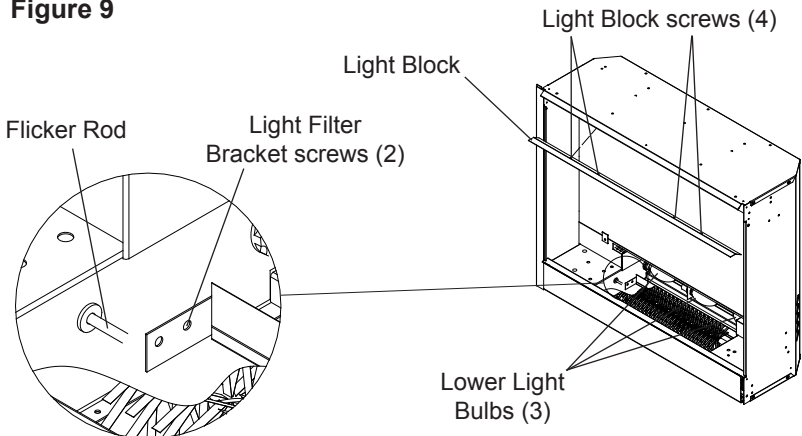
Quantity of two (2) clear chandelier or candelabra bulbs with an E-12 (small) socket base, 15 Watt rating.

**Do not exceed 25 Watts per bulb.**

**To access the upper light bulb area:**

1. Slide fireplace out of mantel.
2. Lay unit on it's back for safe removal of front glass.
3. Remove three (3) Phillips screws from right side of trim.
4. Remove trim.
5. Slide glass to the right side

**Figure 9**





## Maintenance

of the fireplace to remove (Figure 7).

6. Upper bulbs are located in the upper left and upper right corners of fireplace, behind the light block bracket (Figure 9).
7. Remove the four (4) Phillips screws that attach the light block to the firebox (Figure 9).
8. Unscrew bulbs counter clockwise.
9. Insert new bulbs and screw in clockwise.
10. Re-attach light block bracket.
11. Lay unit on it's back, slide front glass back into position and attach Trim.

### Glass Cleaning

The glass is cleaned in the factory during the assembly operation. During shipment, installation, handling, etc., the clear door may collect dust particles, these can be removed by dusting lightly with a clean dry cloth.

To remove fingerprints or other marks, the clear door can be cleaned with a damp cloth.

### Fireplace Surface Cleaning

Use a cloth dampened with warm water only to clean painted surfaces of the electric fireplace. Do not use abrasive cleaners.



## Warranty

### Two Year Limited Warranty

*Products to which this limited warranty applies*

This limited warranty applies to your newly purchased Dimplex electric fireplace. This limited warranty applies only to purchases made in any province of Canada except for Yukon Territory, Nunavut, or Northwest Territories or in any of the 50 States of the USA (and the District of Columbia) except for Hawaii and Alaska. This limited warranty applies to the original purchaser of the product only and is not transferable.

*Products excluded from this limited warranty*

Light bulbs are not covered by this limited warranty and are the sole responsibility of the owner/purchaser. Products purchased in Yukon Territory, Nunavut, Northwest Territories, Hawaii, or Alaska are not covered by this limited warranty. Products purchased in these States, provinces, or territories are sold AS IS without warranty or condition of any kind (including, without limitation, any implied warranties or conditions of merchantability or fitness for a particular purpose) and the entire risk of as to the quality and performance of the products is with the purchaser, and in the event of a defect the purchaser assumes the entire cost of all necessary servicing or repair.

*What this limited warranty covers and for how long*

Products, other than fireplace surrounds (mantels) and trims, covered by this limited warranty have been tested and inspected prior to shipment. Subject to the provisions of this warranty, Dimplex warrants such products to be free from

defects in material and workmanship for a period of 2 years from the date of the first purchase of such products as follows: (a) a repair or replacement warranty on defective products or parts, including in-home services, for the first year following the date of first purchase; and (b) thereafter, a replacement of parts warranty on defective products and parts (with no in-home services) for the 1 year period commencing on the first anniversary of first purchase and ending on the second anniversary of the date of first purchase.

Dimplex fireplace surrounds (mantels) and trims covered by this limited warranty have been tested and inspected prior to shipment and, subject to the provisions of this warranty, Dimplex warrants such products to be free from defects in material and workmanship for a period of 1 year from the date of first purchase of such products. Warranty services do not include in-home services.

The limited 2 year warranty period for products other than fireplace surrounds (mantels) and trims and the limited 1 year warranty period for fireplace surrounds (mantels) and trims also applies to any implied warranties that may exist under applicable law. Some jurisdictions do not allow limitations on how long an implied warranty lasts, so the above limitation may not apply to the purchaser.

*What this limited warranty does not cover*

This limited warranty does not apply to products that have been repaired (except by Dimplex or its authorized service representatives) or otherwise altered. This limited warranty does further not apply to defects resulting from misuse, abuse, accident, neglect, incorrect installation, improper maintenance or handling, or



## Warranty

operation with an incorrect power source.

### *What you must do to get service under this limited warranty*

Defects must be brought to the attention of Dimplex Technical Service by contacting Dimplex at 1-888-DIMPLEX (1-888-346-7539), or 1367 Industrial Road, Cambridge Ontario, Canada N1R 7G8. Please have proof of purchase, catalogue/model and serial numbers available when calling. Limited warranty service requires a proof of purchase of the product.

### *What Dimplex will do in the event of a defect*

In the event a product or part covered by this limited warranty is proven to be defective in material or workmanship during (i) the 2 year limited warranty period for products other than fireplace surrounds (mantels) and trims, and (ii) the 1 year limited warranty period for surrounds (mantels) and trims, you have the following rights:

- Limited warranty service will be performed solely by dealers or service agents of Dimplex authorized to provide limited warranty services.
- **For products (other than surrounds (mantels) and trims) for the period ending at midnight on the first anniversary of the date of first purchase**, Dimplex will in its sole discretion either repair or replace such defective product or part without charge. If Dimplex is unable to repair or replace such product or part, or if repair or replacement is not commercially practicable or cannot be timely made, Dimplex may, in lieu of repair or replacement, choose to

refund the purchase price for such product or part. *This limited warranty entitles the purchaser to on-site or in-home warranty services.* Accordingly, Dimplex will be responsible for all labour and transportation costs associated with the repair or replacement of the product or part except as follows: (i) charges may be levied for travel costs incurred to travel to the purchaser's site where the product is located if the purchaser's site is beyond 30 miles (48 km) from the closest service depot of Dimplex's dealer or service agent; and (ii) the purchaser is solely responsible for providing clear access to all serviceable parts of the product.

- **For products (other than surrounds (mantels) and trims) for the period commencing at 12:01 a.m. on the day after the first anniversary of the first purchase and ending at midnight on the second anniversary of the date of first purchase**, this limited warranty entitles the purchaser to replacement parts only without charge. If Dimplex is unable to replace such part, or if replacement is not commercially practicable or cannot be timely made, Dimplex may, in lieu of replacement, choose to refund the purchase price for such part. The purchaser shall not be entitled to on-site or in-home warranty services. The purchaser shall be responsible for all expenses incurred for the removal of the part and installation of the replacement part including, without limitation, all shipping costs and transportation costs to and from the authorized dealer's or service agent's place of business and all labour



## Warranty

costs. Such costs shall not be the responsibility of Dimplex.

- **For surrounds (mantels) and trims for the period ending at midnight on the first anniversary of the date of first purchase**, Dimplex will in its sole discretion either repair or replace such defective surrounds (mantels) and trims or part thereof without charge. If Dimplex is unable to repair or replace such product or part, or if repair or replacement is not commercially practicable or cannot be timely made, Dimplex may, in lieu of repair or replacement, choose to refund the purchase price for such product or part. The purchaser shall not be entitled to on-site or in-house services. The purchaser is responsible for all expenses incurred for repair or replacement of such product or part including, without limitation, all shipping costs and transportation costs to and from the authorized dealer's or service agent's business and all labour costs. Such costs shall not be the responsibility of Dimplex.
- On-site or in-home services not provided under this warranty may be performed at the purchaser's specific request and expense at Dimplex's then-current rates for such services.

*What Dimplex and its dealers and service agents are also not responsible for.*

IN NO EVENT WILL DIMPLEX, OR ITS DIRECTORS, OFFICERS, OR AGENTS, BE LIABLE TO THE PURCHASER OR ANY THIRD PARTY. WHETHER IN CONTRACT, IN TORT, OR ON ANY OTHER BASIS, FOR ANY INDIRECT, SPECIAL, PUNITIVE, EXEMPLARY,

CONSEQUENTIAL, OR INCIDENTAL LOSS, COST, OR DAMAGE ARISING OUT OF OR IN CONNECTION WITH THE SALE, MAINTENANCE, USE, OR INABILITY TO USE THE PRODUCT, EVEN IF DIMPLEX OR ITS DIRECTORS, OFFICERS, OR AGENTS HAVE BEEN ADVISED OF THE POSSIBILITY OF SUCH LOSSES, COSTS OR DAMAGES, OR IF SUCH LOSSES, COSTS, OR DAMAGES ARE FORESEEABLE. IN NO EVENT WILL DIMPLEX, OR ITS OFFICERS, DIRECTORS, OR AGENTS BE LIABLE FOR ANY DIRECT LOSSES, COSTS, OR DAMAGES THAT EXCEED THE PURCHASE PRICE OF THE PRODUCT.

SOME JURISDICTIONS DO NOT ALLOW THE EXCLUSION OR LIMITATION OF INCIDENTAL OR CONSEQUENTIAL DAMAGES, SO THE ABOVE LIMITATION OR EXCLUSION MAY NOT APPLY TO THE PURCHASER.

### *How State and Provincial law apply*

This limited warranty gives you specific legal rights, and you may also have other rights which vary from jurisdiction to jurisdiction. The provisions of the United Nations Convention on Contracts for the Sale of Goods shall not apply to this limited warranty or the sale of products covered by this limited warranty.



## Replacement Parts

Log Set . . . . .	0439560100RP
Flicker Motor. . . . .	3000240200KIT
Heater Assembly (Built-in Cutout) . . . . .	2000330100RP
Thermostat . . . . .	2300150100RP
Main On/Off Switch . . . . .	2800071100RP
Manual Heat Selection Switch. . . . .	2800070700RP
Flame Action Control with Potentiometer . . . . .	3000240500RP
Light Dimmer Control with Potentiometer . . . . .	3000250100RP
Cord Set . . . . .	4100040200RP
Single Lamp Holder (Center Lower) . . . . .	2500150300RP
Double Lamp Holder (Upper and Lower). . . . .	2500400300RP
Mirror. . . . .	5901210200RP
Front Glass . . . . .	5901220100RP
Control Knob . . . . .	8800000200RP
Remote Transmitter. . . . .	3000370500RP
Remote Reciever. . . . .	3000380200RP
Terminal Block . . . . .	4000070100RP
Flicker Rod . . . . .	5901250100RP
Trim Replacement Kit . . . . .	9600260100RP



**Dimplex North America Limited**  
 1367 Industrial Road  
 Cambridge ON  
 Canada N1R 7G8

© 2011 Dimplex North America Limited