

Product Description

- Patented electric flame technology
- Realistic flame effect, log set and ember bed
- 120 volt plug-in firebox with thermostat controlled fan-forced heater
- Operates with flame only or flame and heat
- Safe, clean electric operation
- Adjustable interior light and flame speed control
- Includes on/off remote control
- Dimensions: 30 7/8" W x 25 1/2" H x 12" D



DF3003 plug-in 30" electric firebox shown in oak cabinet (BMP-272-0) with 1" slimline black trim (SOT-1-BLK).

Specifications

Model	Description	Volts	Watts	BTU	Total Amps	Weight (lb/kg)
DF3003	The 30" deluxe plug-in firebox with patented realistic flame effect, refractory interior, hand-finished logs, flame on/off control, adjustable interior light, and adjustable flame speed control, heat on/off control and thermostat controlled fan-forced heater.	120	1500	5115	12.5	59 / 26.8

Options for DF3003 Firebox

Trims*

SOT-1-BLK – 1" slimline trim, black

SOT-1-SN – 1" slimline trim, satin nickel

ET30-3-BLK – 3" surround trim, black

ET30-3-SS – 3" surround trim, stainless steel

* Packages include black trim only (SOT-1-BLK)

Packages

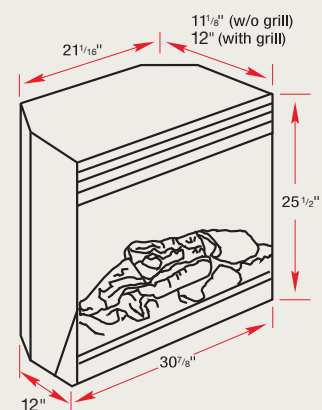
Cabinet packages for DF3003 Firebox (see reverse)

Remote Control



The DF3003 comes equipped with an on/off remote control.

Dimensions



Protected by one or more of the following patents: U.S. Patents: 6,050,011, 6,269,567, 6,190,019, 6,564,485, 5,642,580, 6,615,519, 6,363,636, 6,047,489, 6,718,665, 6,350,498, 6,162,047, 6,385,881, 7,134,229, D514,677, 7,162,820, 7,194,830. Canadian Patents: 2,175,442, 2,310,367, 2,310,073, 2,204,106, 2,310,362, 2,310,414, 2,262,338, 2,321,716, 2,299,927, 1,051,75. Other patents pending. Specifications, finishes and dimensions are subject to change and should be taken as a guide only.



Distressed oak corner cabinet (BMP-261C-O) shown with DF3003 firebox and 1" slimline black trim (SOT-1-BLK)



White cabinet (BMP-272-W) shown with DF3003 firebox and 1" slimline black trim (SOT-1-BLK)



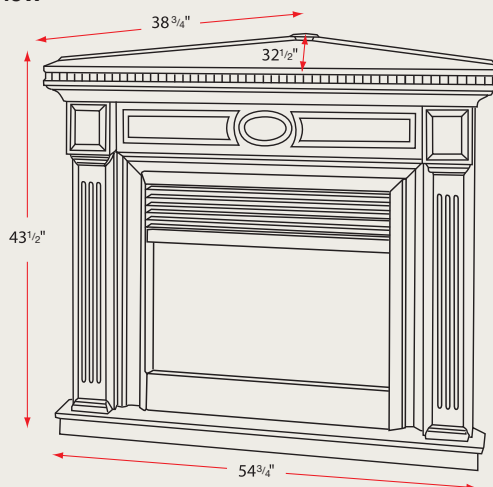
Cherry cabinet (BMP-272-C) shown with DF3003 firebox and 1" slimline black trim (SOT-1-BLK)

Cabinet and Firebox Packages

Model	Description	Weight (lb/kg)
Flat Wall Cabinets		
BMP-272-W	Sussex white cabinet, 30" firebox and 1" black trim	187 / 84.2
BMP-272-O	Sussex oak cabinet, 30" firebox and 1" black trim	187 / 84.2
BMP-272-C	Sussex cherry cabinet, 30" firebox and 1" black trim	187 / 84.2
Corner Cabinets		
BMP-261C-O	Stratford oak corner cabinet, 30" firebox and 1" black trim	174 / 79

261 Corner Dimensions

Front View



272 Series Dimensions

Front View

