

SPECIFICATION SHEET 537 OAKHAM USA / CANADA

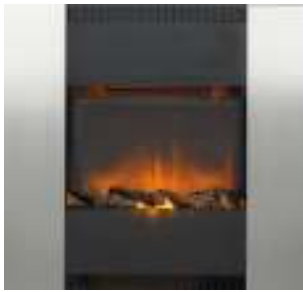


www.burleyfires.com

toll free: 1 877 443 47 37



537-UR includes black trim with attachable stainless steel panels



Optional chrome trim 838CH

MODEL #:	537U-R
FINISHES:	BLACK OR BLACK w S. STEEL
FITTING:	WALL HANGING, INSET OR FLOOR STANDING
LAUNCH:	FEB 2005
WEIGHT:	43 lb, 19.4Kgs

CONTROLS:	MANUAL CONTROL
	REMOTE CONTROL
FUEL EFFECTS:	PEBBLES, COAL, LOG
HEATER OUTPUT:	4,500 BTU, 1.3 Kw
LIGHT BULBS:	1 x 40W, ES27
CABLE LENGTH:	6 Ft, 1.8 METER

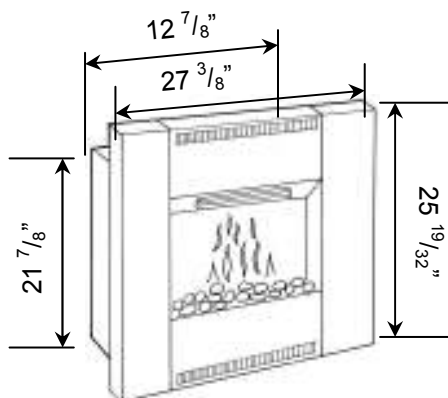
FIRE OVERALL DIMENSIONS			
H	23 1/4"	W	25 1/2"
		D	5 1/4"
FIRE INSET DIMENSIONS			
H	22"	W	15 1/4"
		D	4"
PACKAGING DIMENSIONS			
H	25 1/5"	W	27"
		D	6 8/9"

ELECTRIC SPECIFICATIONS:	
VOLTAGE	120VAC, 60Hz
TOTAL AMPS	12 AMPS
TOTAL WATTS	1340 WATTS
HEATER RATING	1300 WATTS

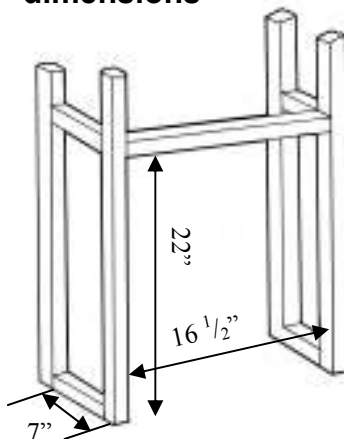
Comments:

- This model has a black trim. Included in the box are 2 stainless steel panels, which the customer can install themselves. The panels are attached with double sided tape, which has already been applied to the panels.
- There are manual switches at the front of the fire.
- Bulb changing and other maintenance is effected by removing the front of the fire. ATTENTION! remove transit screws at the back of the fire before inseting. The front of the fire can not be removed if the transit screws are left in place. Refer to manual.

Inset



Inset opening dimensions



Freestanding with infill

