

# SPECIFICATION SHEET 583 THISTLETON / 586 BELTON USA / CANADA

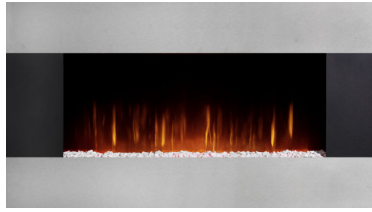


[www.burleyfires.com](http://www.burleyfires.com)

toll free: 1 877 443 47 37



**583U-R curved trim**



**586U-R flat trim**

MODEL #:	583U-R, 586U-R
FINISHES:	BLACK WITH STAINLESS STEEL
FITTING:	INSET FIRE ONLY
LAUNCH:	MARCH 2009
WEIGHT:	35.3 lb, 16Kgs

CONTROLS:	REMOTE CONTROL
FUEL EFFECTS:	PEBBLES, SHELLS, CHIPPINGS
HEATER OUTPUT:	4,500 BTU, 1.3 Kw
LIGHT BULBS:	3 x 40W, ES27
CABLE LENGTH:	6 Ft, 1.8 METER

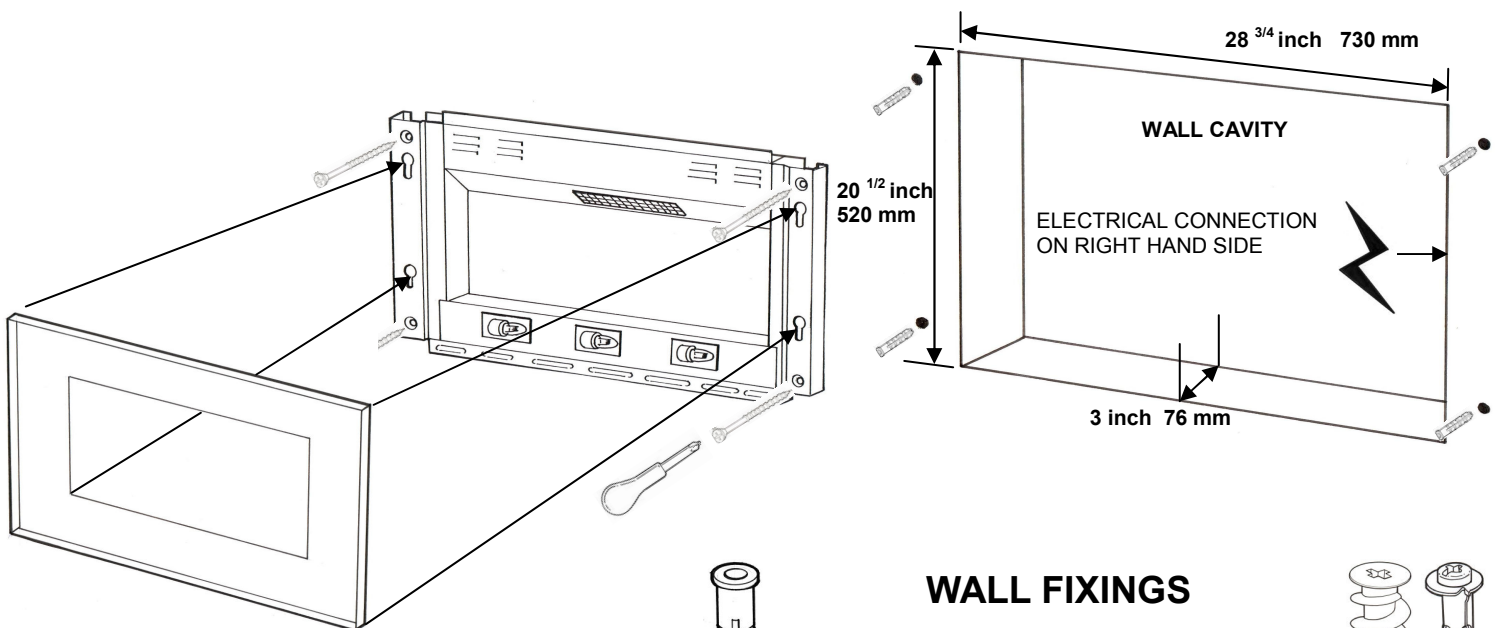
FIRE DIMENSIONS			
H	23 <sup>5/8"</sup>	W	37"
		D	2 <sup>3/4"</sup>
H	486 mm	W	772 mm
		D	128 mm

ELECTRIC SPECIFICATIONS:	
VOLTAGE	120VAC, 60Hz
TOTAL AMPS	12 AMPS
TOTAL WATTS	1420 WATTS
HEATER RATING	1300 WATTS

PACKAGING DIMENSIONS			
H	34 <sup>1/4"</sup>	W	38 <sup>3/16"</sup>
		D	12 <sup>3/16"</sup>
H	870 mm	W	970 mm
		D	310 mm

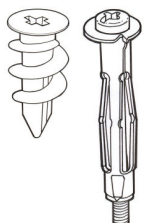
**Comments:**

- **583:** Curved black trim with stainless steel panels attached.
- **586:** Flat black trim. Included in the box are 2 stainless steel panels, which the customer can install themselves. The panels are attached with double sided tape, which has already been applied to the panels.
- There is a master switch on the top-right-hand side of the fire. This will switch off the fire completely. Please ensure the master switch is in the "on" position, before switching the fire on with the remote control.
- Bulb changing is made easy by simply removing the trim.



NYLON WALL PLUGS SUPPLIED SUITABLE FOR MASONRY AND AERATED CONCRETE ONLY.

**WALL FIXINGS**



FOR PLASTERBOARD AND CAVITY FITTINGS, ADDITIONAL FIXING WILL BE REQUIRED.